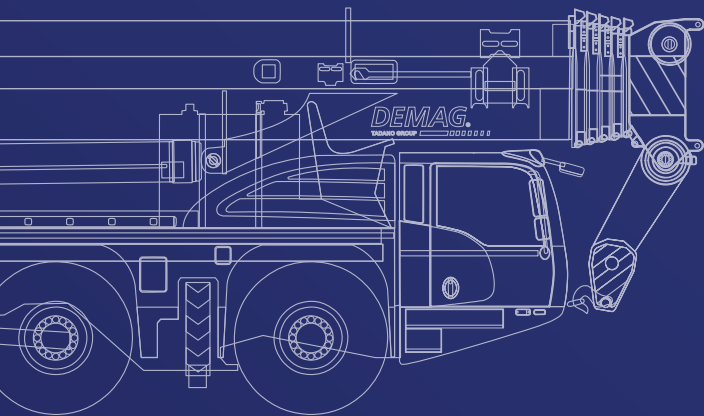
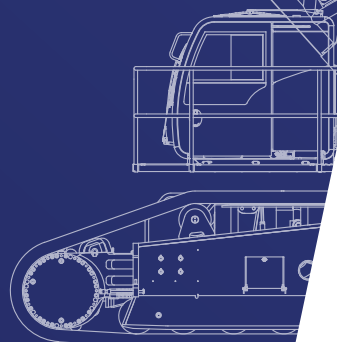




Above. Ahead. Always.



**All Terrain Cranes.
Crawler Cranes.**



DEMAG
TADANO GROUP

Above. Ahead. Always.

Demag constantly designs, develops and delivers smart lifting technologies that go above expectations to benefit your business. It's through this customer-centric approach that we've pioneered industry standards and continue to explore solutions that enable new lifting opportunities.

Our dedication to lifting goes much deeper than inventing new crane technology. We want to help you stay ahead of the competition every step of the way by making smarter business decisions. Giving you the cutting-edge products, tools and support that makes your jobs easier today and for years to come.

We always strive to add value to every project by increasing revenue and lowering costs, from making transportation more cost effective to reducing set up times to making our cranes more efficient. Demag optimizes resources and reduces downtime through dedicated people, responsive services and intelligent solutions. When you choose Demag cranes, you choose a partner that has the experience and know-how to give your business the attention that it needs.

Demag.
Above. Ahead. Always.







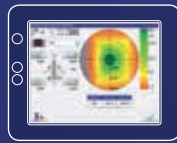
All Terrain Cranes

The versatile Demag all terrain cranes come with superior design, technology and engineering. A study in exceptional performance and maneuverability, Demag all terrain cranes can go just about anywhere on the planet, ready to help you tackle the most demanding

jobs quickly, safely, efficiently. They come in a variety of boom lengths, and feature intelligent, ergonomic cab design for exceptional driver comfort and support. Demag all terrain cranes offer the perfect blend of flexibility & productivity and deliver a high return on investment.

Model	Capacity class t (USt)	Max. boom length m (ft)	Max. system length m (ft)	Axles
AC 45 City	45 (50)	31.2 (102.4)	44.2 (145.0)	3
AC 55-3	55 (60)	50.0 (164.0)	50.0 (164.0)	3
AC 60-3	60 (65)	50.0 (164.0)	66.0 (216.5)	3
AC 100-4L	100 (120)	59.4 (194.9)	81.7 (268.0)	4
AC 130-5	130 (140)	60.0 (197.0)	86.5 (283.8)	5
AC 160-5	160 (180)	68.0 (223.1)	94.6 (310.4)	5
AC 220-5	220 (245)	78.0 (255.9)	99.0 (324.8)	5
AC 250-5	250 (300)	70.0 (229.7)	108.7 (356.6)	5
AC 300-6	300 (350)	80.0 (262.5)	119.9 (393.4)	6
AC 350-6	350 (400)	64.0 (210.0)	125.7 (412.4)	6
AC 500-8	500 (600)	56.0 (183.7)	145.8 (478.3)	8
AC 700-9	700 (800)	60.0 (197.0)	149.5 (490.5)	9
AC 1000-9	1200 (1320)	50.0 (164.0) / 100.0 (328.1)	163.3 (536.0) / 150.7 (494.0)	9

IC-1 PLUS

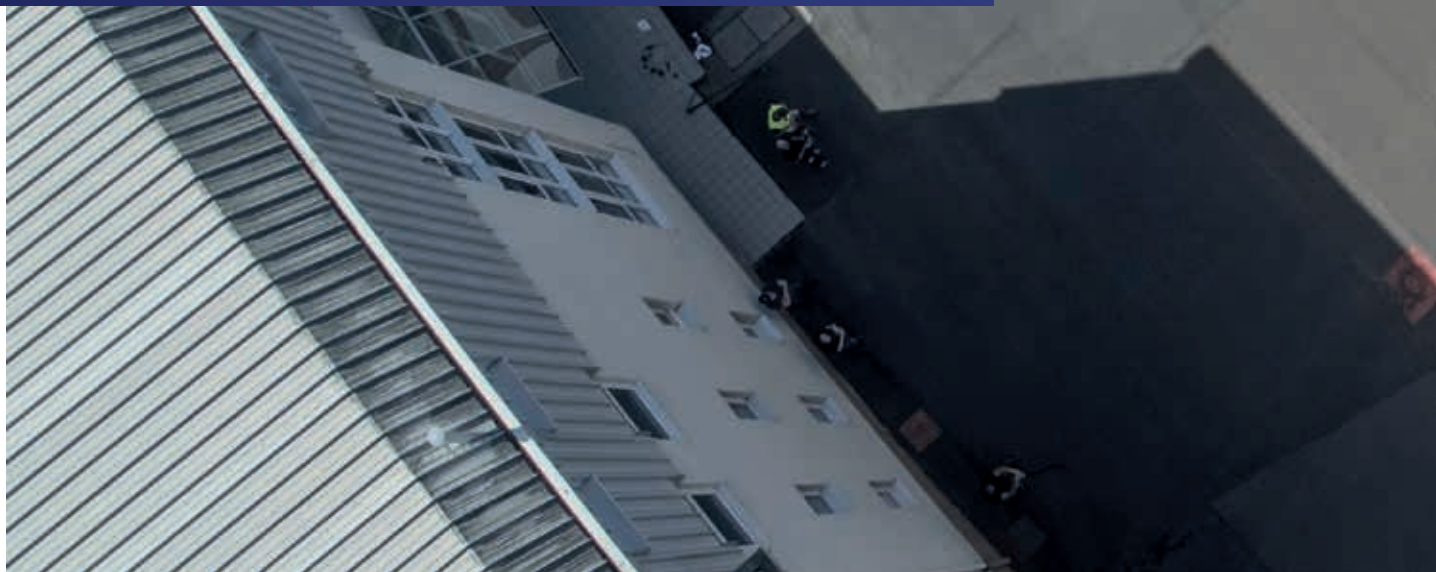


On-board simulation with IC-1 Plus control system

DO MORE WITH LESS.

The IC-1 Plus control system, available on many Demag all terrain crane models, is designed to calculate lifting capacities for every position of the boom subject to the slewing angle of the superstructure. This enables you to use your maximum lifting capacity especially when lifting over the outriggers. The effect is even higher with reduced outrigger settings and reduced counterweight.

Due to this real time determination the lifting capacity for a defined radius is no longer limited to the minimum value of a pre-calculated 360° lifting capacity: Capacities are calculated in real time in the cab. Your crane can perform jobs where higher capacity cranes are typically needed.



Control and flexibility

GO WITH CONFIDENCE

From desert heat to frigid cold, Demag all terrain cranes are designed to get the job done efficiently.

- Rated to work in temperatures from -25°C to +40°C.
- Extreme hot and cold weather packages available.
- Field proven heating and air conditioning provides total operator comfort in virtually all climates.

BUILT TO WORK

Efficiency is built into every Demag all terrain crane. Whether it is quick and easy on-site setup or reliable operation, we strive to deliver value that you demand.

- Fast outrigger setup and leveling to start work quickly.
- Automated counterweight rigging to avoid work at height.
- Patented luffing jib rigging system.



DESIGNED TO GET THERE

Getting a crane to the jobsite should be logistically easy. Demag all terrain cranes are designed to make transportation easy and cost-efficient.

- Configurable to meet road regulations.
- Compact design and a variety of steering programs provide excellent maneuverability.
- Attachments designed for transportation on standard trucks.

THE FLEXIBILITY YOU WANT

With many Demag models, options give you the flexibility to configure your crane to your exact application.

- Specialized jibs.
- Wind turbine configurations.
- Boom settings for your specific lift.
- Boom extensions can provide a cost effective solution for added boom length.
- Superlift system can increase lift capacity by 200%.



Lattice Boom Crawler Cranes

When the job demands something unusually big and powerful, consider a Demag crawler crane. They have more lifting capacities than other types of cranes – up to 3,200 t – and maintain excellent maneuverability under

heavy load. Despite their size, Demag crawler cranes are easy to transport and, once at the jobsite, quickly rigged. Innovative solutions provide you with the right crane for every application.

Model	Max. capacity t (USt)	Max. load moment tm	Max. transportation width of components mm (ft/in)	Max. main boom length m (ft)	Max. tip height m (ft)
CC 2400-1	400 (440)	5168	3000 (9/10)	126 (413)	168 (551)
CC 2800-2	600 (660)	7760	3000 (9/10)	138 (453)	180 (591)
CC 3800-1	650 (715)	9152	3000 (9/10)	144 (472)	192 (630)
PC 3800-1	650 (715)	9252	3000 (9/10)	144 (472)	192 (630)
CC 6800-1	1250 (1375)	15856	3500 (11/5)	150 (492)	204 (669)
CC 8800-1	1600 (1760)	26800	3500 (11/5)	156 (512)	240 (787)
CC 8800-1 TWIN	3200 (3525)	43900	3500 (11/5)	156 (512)	234 (768)

Tough and versatile

READY TO WORK WHERE YOU NEED THE JOB DONE

From Canadian cold to Ethiopian heat, Demag crawler cranes meet the challenges of rugged jobsite conditions.

- Certified to international standards
- Most Demag crawler cranes monitor ground pressure to help you ensure plan compliance
- Reliable heat and air conditioning for operator comfort in nearly all climate conditions
- Rated to work in environments from -25°C to +40°C
- Additional extreme hot and cold weather packages available

INCREASING YOUR ROI

Part of the value of Demag crawler cranes is keeping your cost of ownership low. From the start, Demag crawler cranes reduce your expenses with a design that keeps transportation costs down and setup time quick.

- Efficient engine delivers power while optimizing fuel costs
- Quick-connection system allows superstructure to be installed or removed in less than 15 minutes
- Interchangeable counterweight slabs allow you to store them in different areas and use them on different cranes, reducing transportation costs
- Slide-in sections for easy transport
- Hydraulic pinning for quick assembly of the crawler and main boom
- Structures are coated with rust-resistant paint

THE RIGHT CRANE FOR THE JOB

The versatility of Demag crawler cranes starts with the wide range of models available, including narrow track carriers and pedestal cranes. From there, the modular design gives you the flexibility to adapt the crane for your project's specific needs.

- Many possible configurations
- Boom extensions, luffing jib, boom booster kit, vessel lift and other modules can be added as needed
- Modules save money by not requiring the purchase of additional boom systems

THE CONTROL YOU NEED

While Demag crawler cranes handle complex jobs, the control system keeps the work simple. The comfortable cabin is ergonomically designed, from the adjustable seats to having all controls within easy reach. The control elements can be configured for the preferences of the operator.

- Self-erecting features reduce assembly time and minimize the need for an assist crane
- Special windmill configurations increase your return of investment



Demag Product Support



**DEMAG
WORKS 24/7**
So you can too.



**MAINTAIN PEAK
PERFORMANCE**
Maintain uptime and
support your business.



PROTECTING YOUR INVESTMENT*
New Demag cranes
are covered by a full two year
factory warranty.



INCREASE YOUR PRODUCTIVITY
Let our crane experts show you
how to get the most
from your equipment.



A NEW LIFE FOR YOUR CRANE
Who better to repair and service
your crane than
the ones who built it.

* 24 months factory warranty valid only on new Demag all terrain and crawler cranes sold by Demag. Warrantable repairs exclude any downtime caused by damage to or misuse of the crane. Demag limited product warranty terms and conditions apply which may be changed or terminated at any time. Please contact Demag Mobile Cranes or your local Demag distributor for details. Visit www.demagmobilecranes.com to find your contact.



Worldwide Standards Compliance

Whether positioning a walkway in France or hoisting a flare stack in Saudi Arabia, rest assured that with Demag you are not only using the right crane but one that complies with global standards and regulations. With our commitment to designing, manufacturing and selling safe products, we offer cranes that meet international standards, so our equipment can be used worldwide.

SAFE WORK SOLUTIONS

From protective railings to award-winning fall protection systems, we offer safe, technical solutions to aid in the operation, maintenance and servicing of your equipment.

To help you get the most from Demag crane equipment, we offer training for all operators. Safe use, operation and maintenance information is detailed in our manuals and on product decals affixed to the machines.





Tadano Demag GmbH
Europa Allee 2
66482 Zweibrücken
Germany
T +49 6332 830

www.demagmobilecranes.com



Tadano Ltd. (International Division)
4-12, Kamezawa 2-chome
Sumida-ku Tokyo 130-0014, Japan
E info@tadano.com T 81-3-3621-7750
www.tadano.com

August 2019. Product specifications and prices are subject to change without notice or obligation. The photographs and/or drawings in this document are for illustrative purposes only. Refer to the appropriate Operator's Manual for instructions on the proper use of this equipment. Failure to follow the corresponding Operator's Manual when using our equipment or to otherwise act responsibly may result in serious injury or death. The only warranty applicable to our equipment is the standard written warranty applicable to the particular product and sale and Demag makes no other warranty, express or implied. All rights reserved. Products and services listed may be trademarks, service marks or trade-names of Demag IP Holdings GmbH. Please note: Not all products are available in all countries according to legal requirements. Please consult your local Demag distributor for more information.
© Tadano Demag GmbH 2019. Demag is a trademark of Demag IP Holdings GmbH.